

# Model 1042LH

## Installation & Owners Manual

Humidifier  
GFI #5144

### Please Read And Save These Instructions

- Installation by anyone other than a qualified contractor voids the warranty.
- Product designed for residential installation only. Commercial installation voids warranty.
- Modification or alteration of product, parts, installation instructions or local safety codes voids warranty.
  - Read our full warranty policy at the end of this document.



*Breathe Healthier*

---

## Model 1042LH Table of Contents

---

<b>Subject</b>	<b>Page #</b>
Specifications	3
Unit Location	3
Additional Materials That May Be Necessary	3
Installation	4-5
Installing / Wiring The Control	6
Installation Final Steps	7
How the Humidifier Works	7
Maintenance	8
Parts Drawing	8
Trouble Shooting	9
FAQ's	10
Limited Warranty	11-12



### **WARNING!**

This symbol indicates: **IMPORTANT INSTRUCTIONS!**  
Failure to heed them can result in serious injury or death.

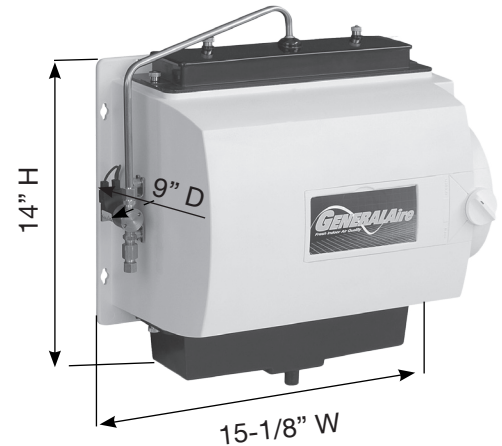


### **CAUTION!**

This symbol indicates: **IMPORTANT INSTRUCTIONS!**  
Failure to heed them can result in serious injury or material property damage.

## Specifications

- **Model:** 1042LH Legacy Flow Through Humidifier (GFI #5144)
- **Type:** Flow Through
- **GPD:** 17 Based on 120° F / 49° C Plenum Temperature
- **Warranty (Years):** 5
- **Replacement Vapor Pad®:** 990-13 (GFI#7002)  
(Replace 1-2 times per season)
- **Dimensions (Inches):** 14 H x 15-1/8 W x 9 D
- **Weight (Pounds):** 13
- **Home Size (Square Feet):** To 3,000
- **Installation:** Warm Air Plenum / Right or Left
- **Plenum Opening (Inches):** 10-1/4 W X 13-5/8 H
- **Bypass Duct (Inches):** 6
- **Pallet Qty:** 30
- **Cabinet Construction:** UV-Stable Automotive Grade Plastic
- **Humidistat:** Models: MHX3C (Included)
- **Voltage:** 24VAC
- **In Box:** Humidifier, Humidistat, Installation Instructions, Vapor Pad®, Parts Kit, Drain Hose, Transformer, Metal Distributor Tube, Damper, 15' 5/8" Drain Hose, Drain Pan, Solenoid Valve

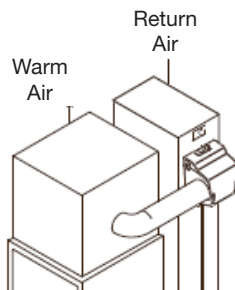


## Unit Location



**WARNING:** Disconnect electrical power before beginning installation.

- Do not install where temperatures fall below 32° F / 0° C or where plenum temperatures exceed 200° F / 93° C. When wiring into a multi-speed blower circuit see Step 7D.
- The humidifier may be mounted with the 6" outlet to the right or left by inverting the cabinet and reversing the positions of the distributor trough and drain pan. The humidifier may be mounted on the warm or return air plenum with equal efficiency.



### Installation Options:

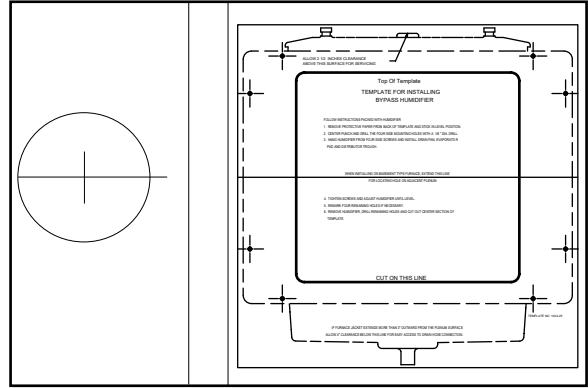
- Warm Air Plenum
- Return Air Plenum
- Right or Left Bypass
- Vertical or Horizontal
- Furnace or Air Handler

## Additional Materials That May Be Necessary

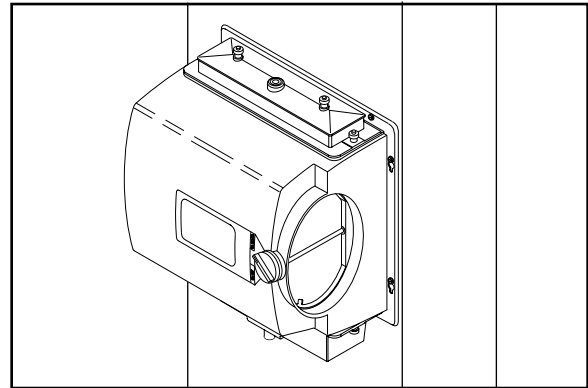
1. 1/4" Diameter plastic supply tubing or 1/4" copper supply tubing for hot water applications
2. 6" Diameter galvanized by-pass pipe
3. Electrical wire and wire nuts
4. Air pressure switch (Model #12500 - GFI #7021)
5. Current sensing relay (Model #GA50 - GFI #7026)

## Installation

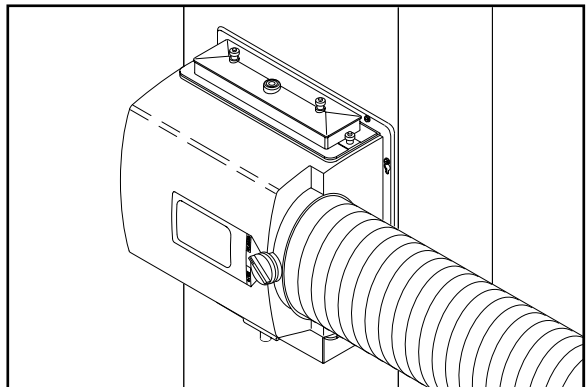
1. Select location on vertical surface of warm or return air plenum for mounting humidifier. For plenum sizes 9 1/2" to 15" use 1040AD adapter plate and five screws, 3 screws in top (supplied with DM model only). Affix mounting template in place making sure the template is level. Do not install humidifier or 6" bypass pipe where the blanked off ends of a cooling coil will restrict air flow to the humidifier. Extend horizontal centerline from template to the adjacent plenum. Scribe 6" circle 10" to 15" from side of humidifier, on cabinet centerline, using connecting collar as guide. Cut out center section of template and 6" hole.



2. Install four sheet metal screws in the side mounting holes until the heads project about 3/8". Hang the humidifier from the four screws. Adjust humidifier until level and tighten four screws. Install four sheet metal screws in the remaining mounting holes. Tighten all 8 screws. Install drain pan, evaporator pad and distributor trough.



3. Install connecting collar. Connect by-pass pipe to collar and humidifier cabinet. Using holes at top and bottom of humidifier bypass opening, screw by-pass pipe to humidifier cabinet.



## Installation, Cont.



**CAUTION:** Turn off water supply.



**CAUTION:** Do not use plastic tubing on hot water or in contact with any hot plenum surface or duct. Installation of this saddle valve must meet or exceed local codes and ordinances.

### 4. Mount the Self-Tapping Saddle Valve.

#### Copper Pipe:

1. Retract piercing pin into valve body by turning handle counterclockwise.
2. Screw valve body into upper bracket and tighten.
3. Place rubber gasket over piercing pin.
4. Assemble saddle valve over copper pipe using enclosed screws, nuts and lower bracket.
5. Tighten screws evenly and firmly. Brackets should be parallel.
6. Complete compression connection to saddle valve outlet.
7. Turn handle clockwise to pierce tubing and close saddle valve.
8. Turn handle counterclockwise to open saddle valve, leave open for several seconds to flush dirt from pipe and tubing.

#### Steel, Brass or Hard Plastic Pipe:

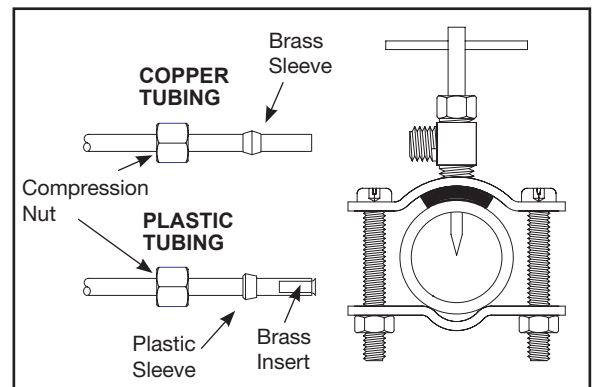
1. Shut off water supply and drain pipe.
2. Turn handle clockwise to expose piercing pin and close saddle valve.
3. Place rubber gasket over piercing pin.
4. Drill 1/8" hole in pipe using a hand crank drill to avoid shock hazard.
5. Assemble saddle valve over steel, brass or hard plastic pipe using enclosed screws, nuts and lower bracket.
6. Tighten screws evenly and firmly. Brackets should be parallel.
7. Complete compression connection to saddle valve outlet.
8. Turn handle counterclockwise to open saddle valve, leave open for several seconds to flush dirt from pipe and tubing.

#### Threaded Pipe Fittings:

1. Turn handle clockwise to expose piercing pin and close saddle valve.
2. Seal valve body threads using pipe tape or sealant.
3. Install valve into 1/8" NPT fitting.
4. Complete compression connection to saddle valve outlet.
5. Turn handle counterclockwise to open saddle valve, leave open for several seconds to flush dirt from pipe and tubing.

### 5. Install the copper or plastic tubing.

Connect 1/4" O.D. tubing to the saddle valve. Copper tubing requires a brass compression nut and brass sleeve. Plastic tubing requires a brass insert inside the tubing, a plastic sleeve on the outside with a brass compression nut. See figure to right.

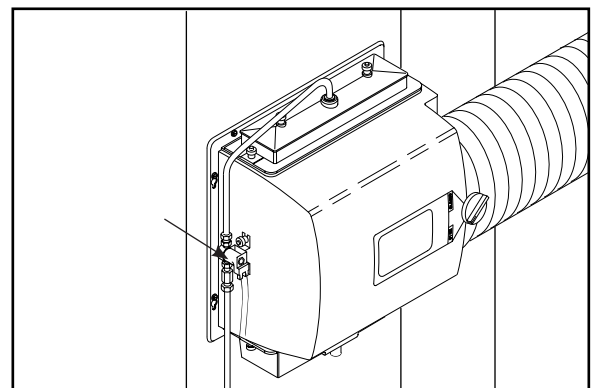


6. Attach solenoid valve into top of humidifier cover using 1/4 turn rotation. If using copper tube, leave two coils of tube next to cabinet to allow cover movement for changing pad. If using plastic tube, anchor tube two inches below humidifier and leave some slack. This will allow full cover movement.

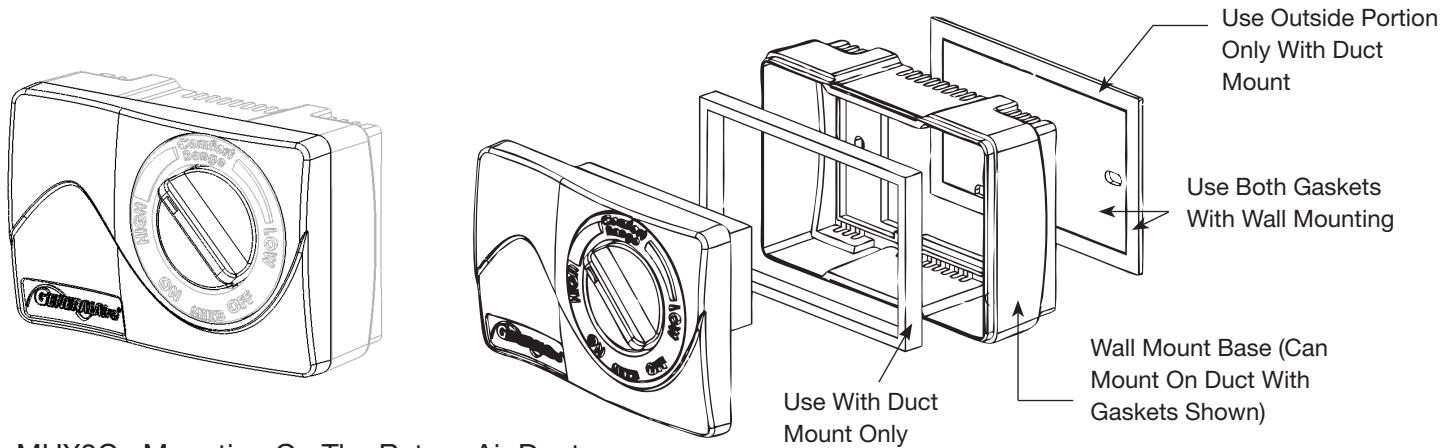
- Loosen the fitting nut on the solenoid valve 1/2 turn. Push the 1/4" O.D. tubing straight into fitting until it bottoms on the fitting's shoulder. **TIGHTEN NUT BY HAND.** Additional tightening is not required.



**CAUTION:** Do not overtighten nut as the threads will strip and the fitting will not function properly. Do not use plastic tubing in contact with any hot plenum surface or duct.



## Installing / Wiring The Control



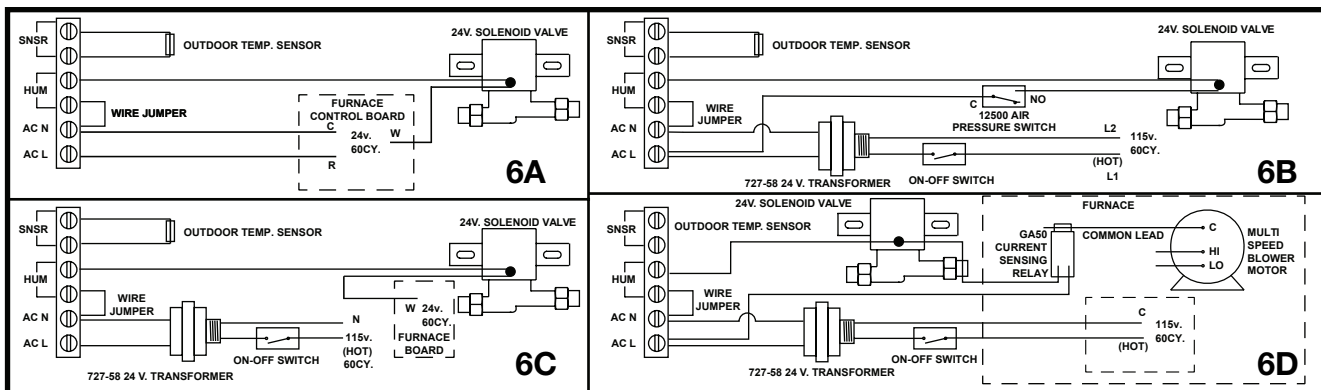
### 6. MHX3C: Mounting On The Return Air Duct

**CAUTION:** DO NOT install the humidistat on the warm air duct.

1. Locate the humidistat at least 24" upstream of the humidifier or bypass on the return air duct. Avoid areas of direct radiation like secondary heat exchangers in the fan compartment.
2. Place template using level. Cut sensor hole as shown on template. Drill four 3/32" holes (not shown).
3. Remove the housing from the base by prying with a small screwdriver at the notch in the side of the housing.
4. Place the outer part of the foam gasket on the humidistat base and mount the base with four screws. Low voltage wire may enter the humidistat under the foam seal.
5. Connect wires to screw terminals on the control assembly as shown in wiring diagram. Replace housing.

### 6. MHX3C: Wall Mounting Instructions

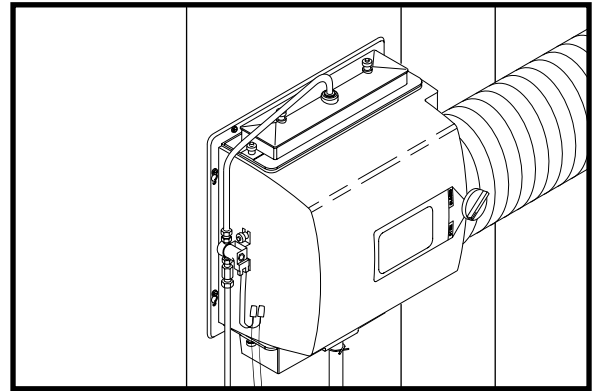
1. Choose a location for the humidistat about five feet above the floor on an inside wall with average room temperature and humidity conditions.
2. Drill a small hole in the wall and run low voltage wiring to the location chosen. Pull about 6" of wire through the hole. Plug the opening to prevent drafts from affecting the humidistat operation.
3. Remove the housing from the base by prying with a small screwdriver at the notch in the side of the housing.
4. Mount the base horizontally over the wires using a level. Attach directly to the wall, using the four screws provided.
5. Connect wires to screw terminals on the control assembly as shown in wiring diagram. Replace housing.





## Installation Final Steps

7. Connect drain hose to 5/8" spout on humidifier cabinet using hose clamp provided. Run 5/8" hose to suitable drain such as floor drain, laundry sink or to a condensate pump (sold separately). Be sure hose has continuous slope and is not kinked at any point.
8. Turn on water supply and check operation of humidifier. Set humidistat to a demand setting. With the furnace off, the solenoid valve should be closed. Start the furnace, the solenoid valve should open when the blower or burner circuit is energized. Check flow of water through distributor trough and evaporator pad. The standard 990-37-76 (GFI #7008) orifice will supply approximately 3.5 GPH of water at a line water pressure of 60 PSI. For low water pressures (20-40 PSI) a larger orifice 990-37-75 (GFI #7009) is available to provide the same flow. Leave humidistat set at the recommended setting.



## How The Humidifier Works

- The operating principle of the humidifier is based on the most efficient and economical means of evaporating water to the air. The humidifier uses only 2.5 watts of electrical power during operation, less than the smallest household light bulb. The heat necessary for evaporating water is produced by the furnace. The water supply to the humidifier is controlled by the electric solenoid valve. The humidistat connected in series with the solenoid provides low voltage control of the humidifier. The humidistat is designed for wall mounting in the living area or surface mounting on the return air duct.
- Water flows through a strainer, is metered through an orifice to provide the proper amount of water, and is supplied to the Vapor Pad® by the distributor trough. Approximately 200 CFM of air is by-passed from the warm air plenum through the humidifier and returned to the cold air plenum. Moisture is evaporated to the air passing through the evaporator pad.
- Minerals are not blown into the air stream as occurs in atomizing humidifiers; they are left on the evaporator pad where a high percentage is carried off with the waste water.
- When the humidifier is installed and operating, no adjustments are necessary other than setting the control knob on the humidistat to the desired level of humidification. Set knob on the humidifier to "OPEN" position. To turn the humidifier off, close the water supply valve, switch electrical power off and turn the humidistat off. If furnace is used for summer cooling or ventilating set air damper on "CLOSED".

At Outside Temperature		Recommended Setting
-20°F	-29°C	15%
-10°F	-23°C	20%
0°F	-18°C	25%
+10°F	-12°C	30%
+20°F	-7°C	35%
+30°F	-1°C	40%



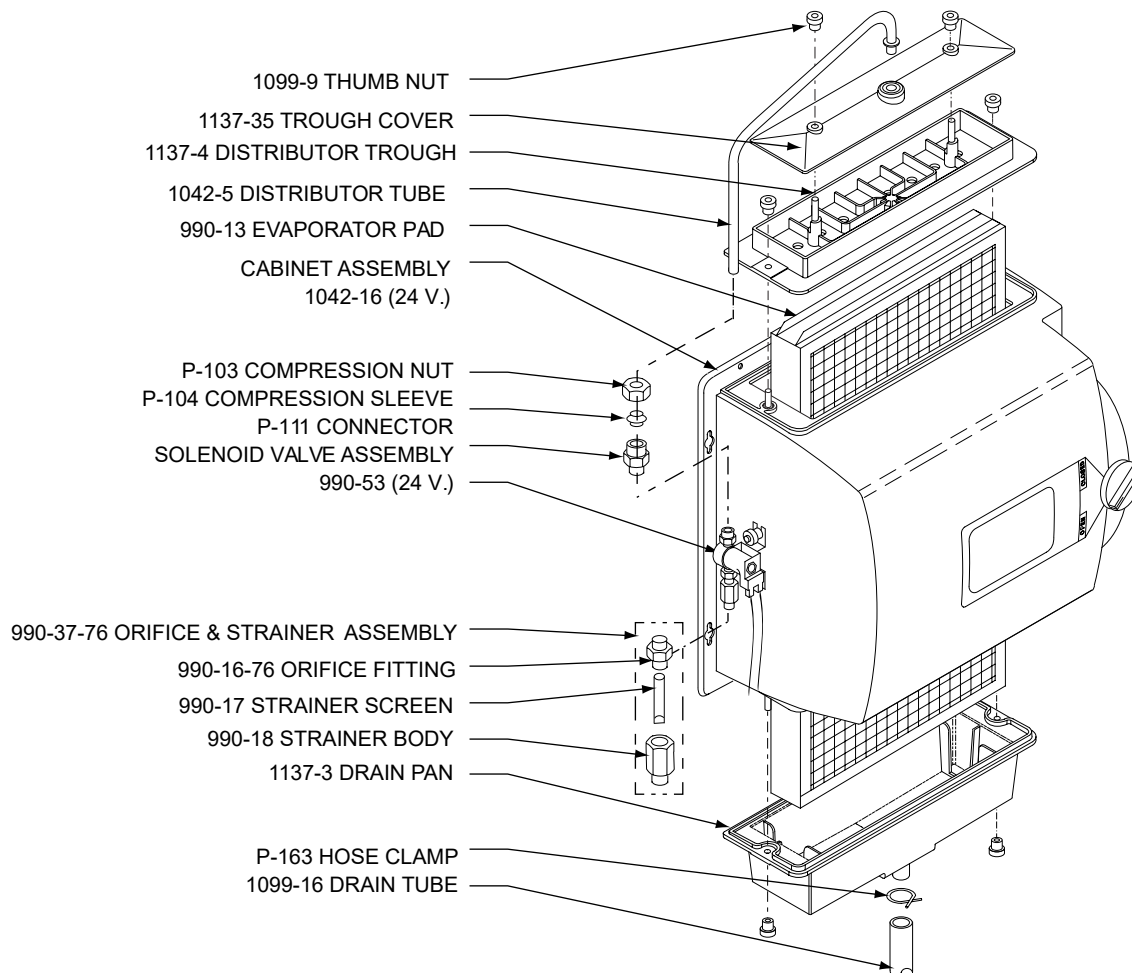
**CAUTION:** Do not set relative humidity too high during cold weather. Excessive humidity may cause condensation on windows or in walls. Refer to recommended settings as described in the humidistat owners manual.

## Maintenance

Your humidifier is engineered to give helpful and trouble-free humidification. For maximum efficiency the following cleaning procedures should be carried out at the end of each heating season:

1. Turn off the water supply and electrical power to the humidifier.
2. Remove water distributor tube, distributor trough, used Vapor Pad® and drain pan. The Vapor Pad® may be removed from either the top or bottom of the humidifier. Clean excessive mineral deposits from the distributor trough, drain pan and humidifier cabinet. A solution of 1/2 vinegar & 1/2 water will help loosen mineral deposits.
3. Insert a new 990-13 (GFI #7002) Vapor Pad® (black notch on top). Install trough and drain pan. Replace the distributor tube to proper position over the distributor trough. Replace Vapor Pad® yearly for peak performance.
4. In heavy mineral areas, or if the solenoid valve fails to function, disconnect the 1/4" water supply line from the solenoid valve. Remove the brass strainer body from the solenoid valve. Carefully pull the strainer screen 990-17 (GFI #7005) from the orifice fitting. Clean the mineral deposits from all parts. If the orifice is clogged, it may be opened by inserting a small needle. Reinsert the filter into the orifice fitting and screw the brass strainer body into the solenoid valve.
5. Reconnect the 1/4" water line to the solenoid valve if necessary. Turn on the water supply and check all points for leakage. The operation of the unit may be checked by starting the furnace. The humidifier operates only when the furnace blower is running or the burner circuit is energized. The humidifier is now ready for operation.
6. During the summer, turn OFF the water supply and electrical power to the humidifier. Close the air damper.

## Parts Drawing





## Trouble Shooting

### 1. My humidifier continues to run.

#### Check for the following:

- The valve might be stuck in the "open" position.
- Check for wiring errors.
- Is the unit sized properly for your home? If it is rated for a smaller-sized home than the home in which it is installed, it will work "overtime" to reach the humidification levels desired.
- Check the Vapor Pad®. If it is clogged, the pad will reduce the humidifier efficiency. Replace if necessary.

### 2. My solenoid valve is making a "chatter" noise.

#### This can be caused by any of the following:

- The power to the valve is less than 18V AC.
- The solenoid is causing a "water hammer condition" thru the water pipes (valve closes quickly and shuts off water flow, which in turn creates pressure behind the valve that has no avenue of relief). You may want to install a water hammering device with your plumbing, or contact your local plumber to determine the best solution.
- The humidistat is located too close to the humidifier or the by-pass pipe. Your humidistat should be a min. of 1.5' away or greater.
- The humidistat could have a buildup of dust, causing a faulty reading. Clean.
- The solenoid valve might be dirty. Remove, inspect and clean if necessary.
- Water supply pressure going to the valve may be too low.
- The hold down nut on top of the solenoid, as it may be loose.

### 3. The humidifier is not raising the humidity levels in my home.

#### Check for the following:

- Ensure you have changed / replaced your Vapor Pad® at the proper intervals (once per year) to ensure the greatest production of moisture.
- Check the setting of your humidistat to ensure it is set higher than current humidity levels in your home (when in doubt, turn it all the way to the right at maximum production). If you don't know what your current humidity level is, use an instrument called a thermohygrometer (Model 610; GFI #7065) to measure both heat and humidity levels in your home.
- Calculate your humidity load (Gallons Per Day - GPD) via our humidity calculator ([www.generalfilters.com/Support](http://www.generalfilters.com/Support)). Check to see that your humidifier model is designed to produce the amount of moisture (GPD) you need.
- Have you recently installed hardwood floors? Have you recently remodeled and added on to your home? These can both increase your home's demand for humidity. Options include connecting your humidifier to the hot water supply (which can increase output by as much as 30%), or installing a new humidifier model that can generate more humidity.
- The unit is not recommended for heat pumps.
- Plenum temperatures must meet or exceed 120° F to achieve listed capacities.

### 4. My humidifier will not turn on.

#### The following might be occurring:

- Check to see if your humidifier is plugged in, that the breaker is engaged, and that power to other items from the same source is working.
- Check that the damper knob is in the "OPEN" position.
- Ensure a fuse has not blown.
- Check that connectors are properly inserted in the terminal block.
- Make sure the furnace is operating in the heat mode.



**To ensure your safety and the longevity of your unit, we recommend contacting a licensed contractor to perform any repairs or maintenance.**



---

## FAQ's

---

### 1. How does a humidifier help with my allergies?

Dry air can lead to a host of problems for allergy and asthma sufferers. Dry climates, winter air, and artificial heat all contribute to the discomfort by drying out your skin, throat and delicate sinus passages and airways (which can contribute to sinusitis). Winter is an especially bad time for dry air as home heating systems, especially forced-air systems, reduce the amount of moisture in the air while humidity levels outdoors typically dip as well.

### 2. What range of humidity is ideal?

Research shows that 40-60% relative humidity is ideal. Outside this range, your risk of being adversely affected increases.

### 3. How often should I change my Vapor Pad®?

We recommend replacing your Vapor Pad® at least once per year. Minerals build up on the vapor pad over time, which in turn:

- Reduces the pad's ability to absorb water.
- Prevents the warm air from flowing through the pad. (Warm air moving through the water-soaked pad causes the water in the pad to evaporate. It is this process that delivers moisture throughout your home via the home's duct system.)

### 4. Can I clean my Vapor Pad® instead of replacing it?

A coating is applied to the Vapor Pad® that helps it absorb water and control water flow. If you subject the Vapor Pad® to cleaning, you usually remove much of the coating and the pad becomes ineffective. This reduces the output of the humidifier and increases water consumption.

**Replace the Vapor Pad® annually.**

### 5. Why would I want to install a humidifier?

**For many reasons:**

1. Since the air in your home is always trying to reach its saturation point, it will absorb water wherever it can; from the bodies of you and your children, your pets, your furniture and even your house plants. As a result your skin, throat and nasal passages dry out, leaving you more susceptible to physical discomfort, colds, flu and even infection. Allergy and asthma sufferers can be especially affected by air that's too dry.
2. Dry air causes dry, itchy skin.
3. Dry air cracks expensive woodwork, floors, musical instruments, artwork and furnishings.
4. Annoying static electricity (caused by dry air) can damage computers, VCR's and other electronic equipment, requiring expensive repair.
5. Dry air can cause harm to expensive musical instruments like pianos and violins.
6. Dry air causes gaps in window & door frames, letting cold outdoor air in; causing you to turn up the heat and increasing your heating bills! Controlled humidity from a GeneralAire® Humidifier allows you the luxury of dialing the thermostat back & reducing annual heating bills. For example, 68° at 40% relative humidity feels just as warm as 74° at 20% humidity. Setting your thermostat back by as little as three degrees can reduce annual heating bills by as much as 5%.

## Limited Warranty

### What is Covered

- Five Years: The 1042LH is warranted by General Filters, Inc. (“Company”) for a period of five (5) years from the date of the original installation, when installed in residential applications only (“Limited Warranty Period”).
- This Limited Warranty runs to the original purchaser of the Product(s) who owns, and resides in, the residential property for which it is installed and maintained.
- The Limited Warranty coverage begins upon the date the Product(s) is installed.
- This Limited Warranty is valid only for the original customer purchasing from Company, and is not transferable.

### What is Not Covered

- The following components are not covered by this warranty: Vapor Pads, sleeves or plates, wiring, water strainers or metering orifices.
- This product is designed for residential installation only, therefore, commercial or industrial installations are not covered under this warranty.
- Failure to install the 1042LH Humidifier in accordance with these instructions, local codes or ordinances voids the warranty.
- Modifications, changes or alterations to equipment.
- Failure to perform regular maintenance as described in this document voids the warranty.
- This Limited Warranty is valid only for the original customer purchasing from Company, and is not transferable.
- Damage caused by misuse, neglect, fire, wind, mold, damage in transit, or other casualty, contact with corrosive materials (chlorine, flourine, salt, urine, fertilizers, recycled waste water, or other damaging substances), damage caused during installation, or any cause beyond General Filters, Inc. control is not covered under this Limited Warranty.
- Labor involved in diagnostic calls or in removing, repairing, servicing or replacing parts is not covered under this Limited Warranty.
- Shipping charges are not covered by this Limited Warranty.
- Agreements made by third parties that are not listed in this Limited Warranty.

### What is Not Covered, Cont.

- Liability for special, incidental, direct, indirect, collateral and consequential damages is excluded. Some states do not allow limitation of incidental damages, so the limitations or exclusions may not apply to you. General Filters, Inc. will not pay electricity or fuel costs, or increases in electricity or fuel costs, for any reason whatsoever, including additional or unusual use of supplemental electric heat. This warranty does not cover lodging expenses or labor charges. General Filters, Inc. shall not be liable for any default or delay in performance under this warranty caused by any contingency beyond its control. This warranty gives you specific legal rights, and you may also have other rights which vary from state to state.

### To Make a Warranty Claim / Obtain Service

- Owner must submit a warranty registration within 30 days after installation.
- The Owner must complete our online Return Merchandise Authorization (RMA) Form ([www.generalfilters.com/returns](http://www.generalfilters.com/returns)), to arrange for applicable Limited Warranty service, within the warranty period. Owner must also provide complete model and serial number, proof of required periodic maintenance, installation date and location and an accurate, detailed description of the problem.
- Owner shall be solely responsible for properly packaging the Covered or Extended Coverage Equipment, for all freight charges, and for all risk of loss associated with shipment.
- Owner is responsible for obtaining a licensed contractor to perform any repairs, maintenance or other work on unit.
- If during the Limited or Extended Warranty Period, Covered or Extended Coverage Equipment fails because of a manufacturing defect, Company will provide a free replacement part to the Owner through a licensed service contractor.



---

## Limited Warranty, Cont.

---

### Limitations of Liability

- General Filters, Inc. makes no express warranties other than the warranty specified above.
- The implied warranties of merchantability and fitness for a particular purpose are limited to the duration listed.
- The manufacturer assumes no liability in connection with the installation or use of the product, except as stated in this Limited Warranty.
- The manufacturer will in no event be liable for incidental or consequential damages.
- This limited warranty gives you specific legal rights, and you may also have other rights which vary from state to state. Some states do not allow either limitations on implied warranties, or exclusions from incidental or consequential damages, so the above exclusion and limitation may not apply to you.

### Questions

- Any questions pertaining to this limited warranty should be addressed to the manufacturer. (U.S.A.: The manufacturer has elected not to make available the informal dispute settlement mechanism which is specified in the Magnuson-Moss Warranty Act.)

The rest of this page left intentionally blank.

# Model 1042LH

## Installation & Owners Manual

Humidifier  
GFI #5144

### Read and Save These Instructions

- Installation by anyone other than a qualified contractor voids the warranty.
- Product designed for residential installation only. Commercial installation voids warranty.
- Modification or alteration of product, parts, installation instructions or local safety codes voids warranty.
  - Read our full warranty policy at the end of this document.



*Breathe Healthier*

---

## SL16 Table of Contents

---

<b>Subject</b>	<b>Page #</b>
Specifications	3
Unit Location	3
Additional Materials That May Be Necessary:	3
Installation	4
Saddle Valve / Solenoid Valve Installation	5
Installing the MHX3C	6
Installing the Vapor Pad	7
How the Humidifier Works	7
Maintenance	8
Trouble Shooting	9
FAQ's	10
Warranty Registration	11
Limited Warranty	11



### **WARNING!**

This symbol indicates: **IMPORTANT INSTRUCTIONS!**  
 Failure to heed them can result in serious injury or death.



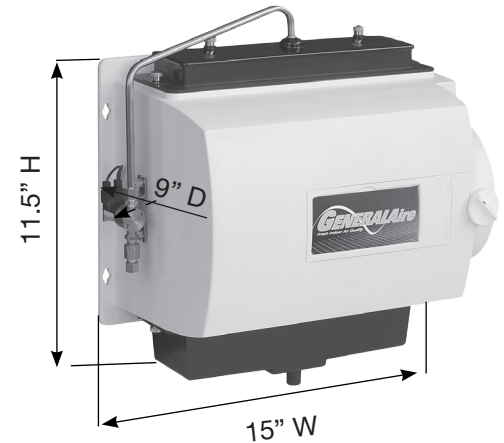
### **CAUTION!**

This symbol indicates: **IMPORTANT INSTRUCTIONS!**  
 Failure to heed them can result in serious injury or material property damage.



## Specifications

- **Model:** 1042LH Legacy Flow Through Humidifier (GFI #5144)
- **Type:** Flow Through
- **GPD:** 17 Based on 120° Degree Plenum Temperature
- **Warranty:** 5 Years
- **Replacement Vapor Pad®:** 990-13 (GFI#7002)  
(Replace 1-2 times per season)
- **Dimensions:** 15" W x 11.5" H x 9" D
- **Weight:** 13 Lbs.
- **Home Size:** To 2,800 Sq. Ft.
- **Installation:** Warm Air Plenum / Right or Left
- **Plenum Opening:** 10.25" W X 9.5" H
- **Bypass Duct:** 6"
- **Pallet Qty:** 30
- **Cabinet Construction:** DuraPlast® Ultra-Violet Stable Automotive Grade Plastic
- **Humidistat:** Models: MHX3C (Included)
- **In Box:** Humidifier, humidistat, Installation Instructions, Vapor Pad®, Parts Kit, Drain Hose, Transformer, Metal Distributor Tube, Damper, 15' 5/8" Drain Hose, Drain Pan, Solenoid Valve.
- **Voltage:** 24V

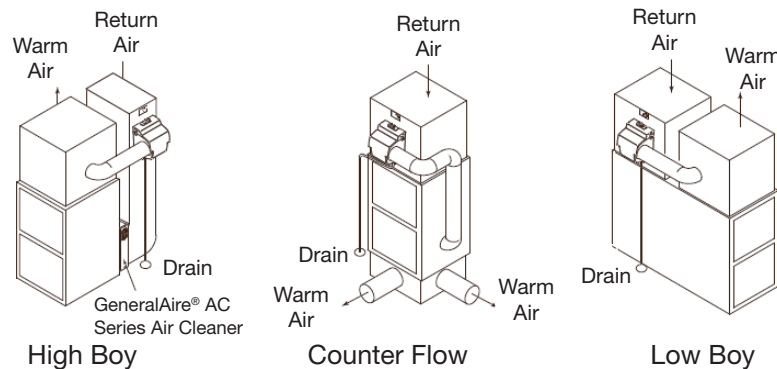


## Unit Location



**PRÉCAUTION:** Couper l'alimentation électrique avant de commencer l'installation.

- Do not install where temperatures fall below 32°F or where plenum temperatures exceed 200 degrees F. When wiring into a multi-speed blower circuit see Step 7D.
- **INSTALLATION:** The humidifier may be mounted with the 6" outlet to the right or left by inverting the cabinet and reversing the positions of the distributor trough and drain pan. The humidifier may be mounted on the warm or return air plenum with equal efficiency. See Typical Installations below.

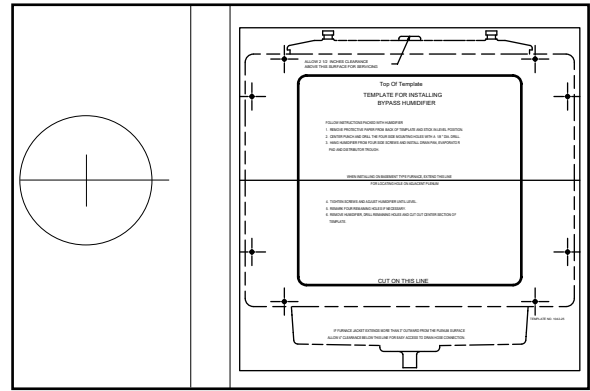


## MATÉRIAUX ADDITIONNELS POUVANT ÊTRE REQUIS:

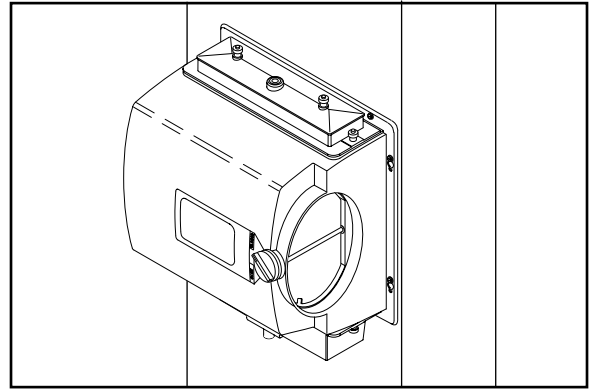
1. Tube d'alimentation en plastique de 1/4 po de diamètre ou tube d'alimentation en cuivre de 1/4 po pour les applications pour eau chaude
2. Tuyau de dérivation galvanisé de 15,2 cm (6 po)
3. Fil électrique et serre-fils
4. Commutateur de pression d'air (G.F. modèle n° 12500 suggéré)
5. Relais Ampèremétrique (G.F. modèle n° GA50 suggéré)

## Installation

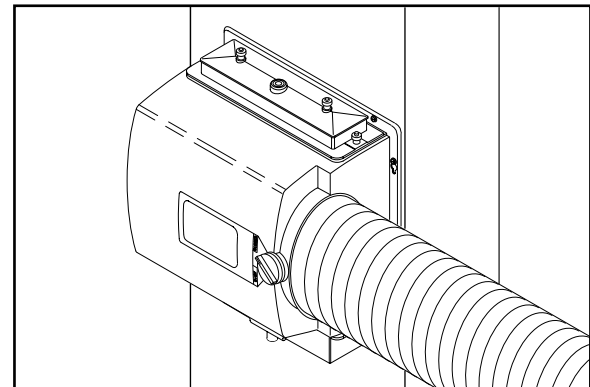
1. Select location on vertical surface of warm or return air plenum for mounting humidifier. For plenum sizes 9 1/2" to 15" use 1040AD adapter plate and five screws, 3 screws in top (supplied with DM model only). Stick mounting template in place making sure the template is level. Do not install humidifier or 6" bypass pipe where the blanked off ends of a cooling coil will restrict air flow to the humidifier. Extend horizontal centerline from template to the adjacent plenum. Scribe 6" circle 10" to 15" from side of humidifier, on cabinet centerline, using connecting collar as guide. Cut out center section of template and 6" hole.



2. Install four sheet metal screws in the side mounting holes until the heads project about 3/8". Hang humidifier from the four screws. Adjust humidifier until level and tighten four screws. Install four sheet metal screws in the remaining mounting holes. Tighten all 8 screws. Install drain pan, evaporator pad and distributor trough.



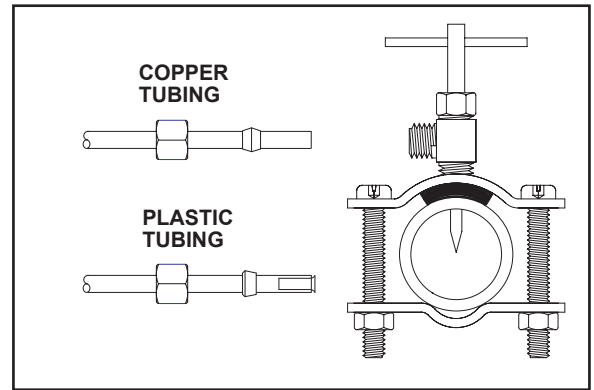
3. Install connecting collar. Connect by-pass pipe to collar and humidifier cabinet. Using holes at top and bottom of humidifier bypass opening, screw by-pass pipe to humidifier cabinet.



## Saddle Valve / Solenoid Valve Installation

- Mount the self tapping saddle valve on either a cold or a hot water pipe. A side or top mount is best to avoid clogging from pipe sediment. Connect 1/4" O.D. tubing to the saddle valve. Copper tubing requires a brass compression nut and brass sleeve. Plastic tubing requires a brass insert inside the tubing, a plastic sleeve on the outside with a brass compression nut.

**CAUTION:** do not use plastic tubing on hot water or in contact with any hot plenum surface or duct. Installation of this saddle valve must meet or exceed local codes and ordinances.



### Copper Pipe

- Retract piercing pin into valve body by turning handle counterclockwise.
- Screw valve body into upper bracket and tighten.
- Place rubber gasket over piercing pin.
- Assemble saddle valve over copper pipe using enclosed screws, nuts and lower bracket.
- Tighten screws evenly and firmly. Brackets should be parallel.
- Complete compression connection to saddle valve outlet.
- Turn handle clockwise to pierce tubing and close saddle valve.
- Turn handle counterclockwise to open saddle valve, leave open for several seconds to flush dirt from pipe and tubing.

### Steel, Brass or Hard Plastic Pipe

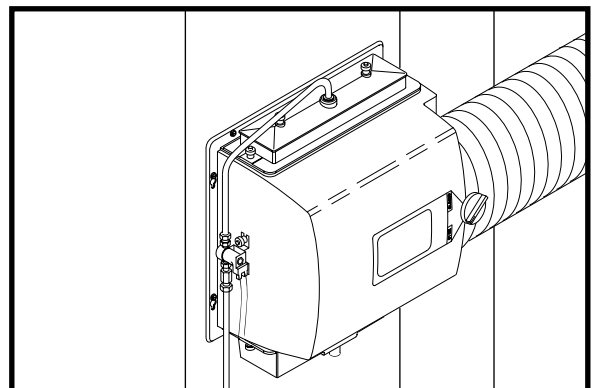
- Shut off water supply and drain pipe.
- Turn handle clockwise to expose piercing pin and close saddle valve.
- Place rubber gasket over piercing pin.
- Drill 1/8" hole in pipe using a hand crank drill to avoid shock hazard.
- Assemble saddle valve over steel, brass or hard plastic pipe using enclosed screws, nuts and lower bracket.
- Tighten screws evenly and firmly. Brackets should be parallel.
- Complete compression connection to saddle valve outlet.
- Turn handle counterclockwise to open saddle valve, leave open for several seconds to flush dirt from pipe and tubing.

### Threaded Pipe Fittings

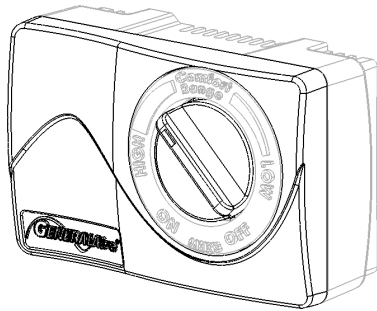
- Turn handle clockwise to expose piercing pin and close saddle valve.
- Seal valve body threads using pipe tape or sealant.
- Install valve into 1/8" NPT fitting.
- Complete compression connection to saddle valve outlet.
- Turn handle counterclockwise to open saddle valve, leave open for several seconds to flush dirt from pipe and tubing.

- Attach solenoid valve into top of humidifier cover using 1/4 turn rotation. If using copper tube, leave two coils of tube next to cabinet to allow cover movement for changing pad. If using plastic tube, anchor tube 2 inches below humidifier and leave some slack. This will allow full cover movement.
  - Loosen the fitting nut on the solenoid valve 1/2 turn. Push the 1/4" O.D. tubing straight into fitting until it bottoms on the fitting's shoulder. TIGHTEN NUT BY HAND. Additional tightening is not required.

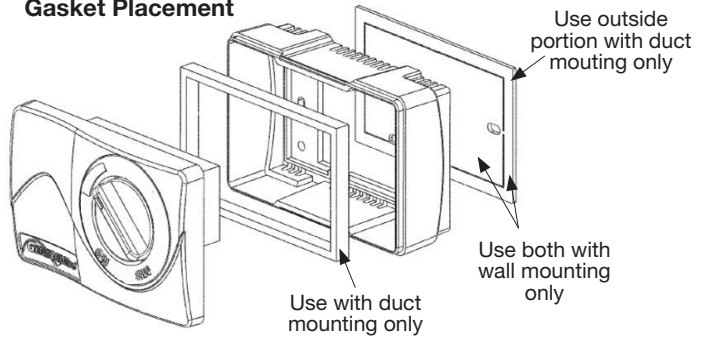
**CAUTION:** do not overtighten nut as the threads will strip and the fitting will not function properly. Do not use plastic tubing in contact with any hot plenum surface or duct.



## Installing the MHX3C



### Gasket Placement



### 6. MHX3C: Mounting On The Return Air Duct



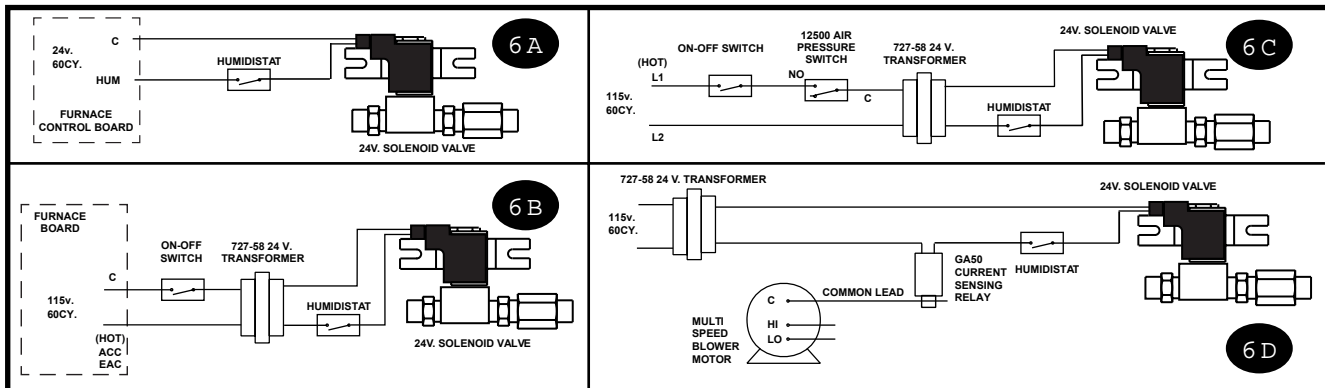
**CAUTION: DO NOT install the humidistat on the warm air duct.**

1. Locate the humidistat at least 24" upstream of the humidifier or bypass on the return air duct. Avoid areas of direct radiation like secondary heat exchangers in the fan compartment.
2. Place template using level. Cut sensor hole as shown on template. Drill four 3/32" holes as shown.
3. Remove the housing from the base by prying with a small screwdriver at the notch in the side of the housing.
4. Place the outer part of the foam gasket on the humidistat base and mount the base with four screws. Low voltage wire may enter the humidistat under the foam seal.
5. Connect wires to screw terminals on the control assembly as shown in wiring diagram. Replace housing.

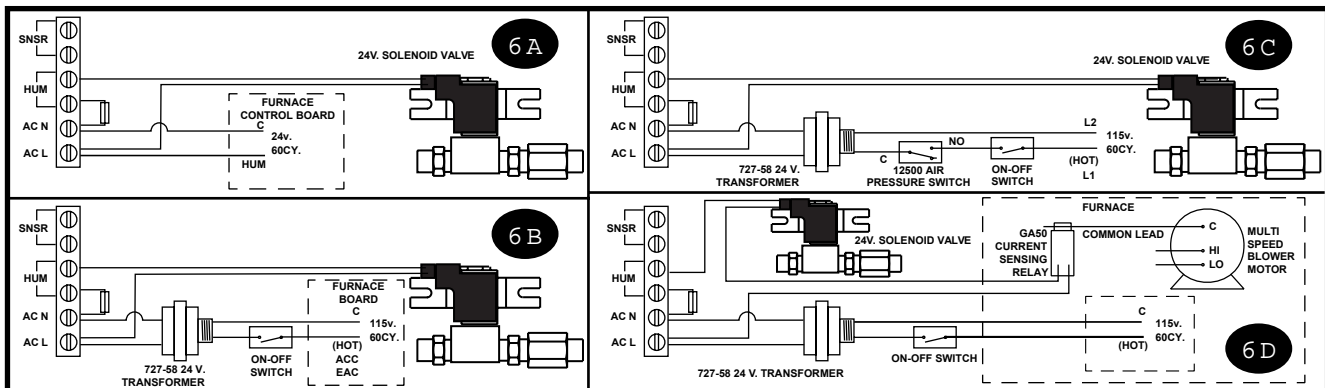
### 6. MHX3C: Wall Mounting Instructions

1. Choose a location for the humidistat about five feet above the floor on an inside wall with average room temperature and humidity conditions.
2. Drill a small hole in the wall and run low voltage wiring to the location chosen. Pull about 6" of wire through the hole. Plug the opening to prevent drafts from affecting the humidistat operation.
3. Remove the housing from the base by prying with a small screwdriver at the notch in the side of the housing.
4. Mount the base horizontally over the wires using level. Attach directly to the wall, using four screws provided.
5. Connect wires to screw terminals on the control assembly as shown in wiring diagram. Replace housing.

### Manual



### Electronic



### 6A-6D Electronic Humidistat

On furnaces with output terminals HUM, ACC, or EAC check output voltage to determine if terminals are 24V. or 115V.

### Fig. 6C With Two Speed Blower Motor

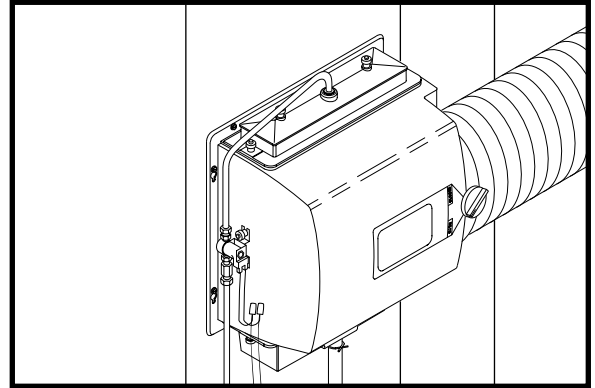
On furnaces with a two speed blower, the humidifier and a Model 12500 Air Pressure Switch may be wired from a continuous 115V power source. Install the on/off switch and Air Pressure Switch in series with the transformer primary on the hot or black wire. The Air Pressure Switch will detect furnace operation and supply power to the humidifier accordingly.

## Installing the Vapor Pad®

### FIG. 6D WITH TWO SPEED BLOWER MOTOR

On furnaces with a two speed blower, the humidifier may be wired from a continuous 115V power source. Install the on/off switch in series with the transformer primary on the hot or black wire. Install the GA50 Current Sensing Relay in series with the humidistat circuit. The Current Sensing Relay will detect furnace operation and supply power to the humidifier accordingly.

**WARNING:** NOTE: ALL WIRING SHOULD COMPLY WITH LOCAL ELECTRICAL CODES.



7. Connect drain hose to 5/8" spout on humidifier cabinet using hose clamp provided. Run 5/8" hose to suitable drain such as floor drain, sewer or laundry sink. Be sure hose has continuous slope and is not kinked at any point.
8. Turn on water supply and check operation of humidifier. Set humidistat to a demand setting. With the furnace off, the solenoid valve should be closed. Start the furnace, the solenoid valve should open when the blower or burner circuit is energized. Check flow of water through distributor trough and evaporator pad. The standard 990-16-76 orifice will supply approximately 3.5 GPH of water at a line water pressure of 60 PSI. For low water pressures (20-40 PSI) a larger orifice 990-16-75 is available to provide the same flow. Leave humidistat set at the recommended setting.

## How the Humidifier Works

- The operating principle of the humidifier is based on the most efficient and economical means of evaporating water to the air. The humidifier uses only 2.5 watts of electrical power during operation, less than the smallest household light bulb. The heat necessary for evaporating water is produced by the furnace.
- The water supply to the humidifier is controlled by the electric solenoid valve. The humidistat connected in series with the solenoid provides low voltage control of the humidifier. The humidistat is designed for wall mounting in the living area or surface mounting on the return air duct.
- ELECTRICAL RATING: 24 VAC / 60 Hz.

**CAUTION:** DO NOT SET RELATIVE HUMIDITY TOO HIGH DURING COLD WEATHER. EXCESSIVE HUMIDITY MAY CAUSE CONDENSATION ON WINDOWS OR IN WALLS. REFER TO RECOMMENDED SETTINGS AS DESCRIBED IN THE HUMIDISTAT OWNERS MANUAL.

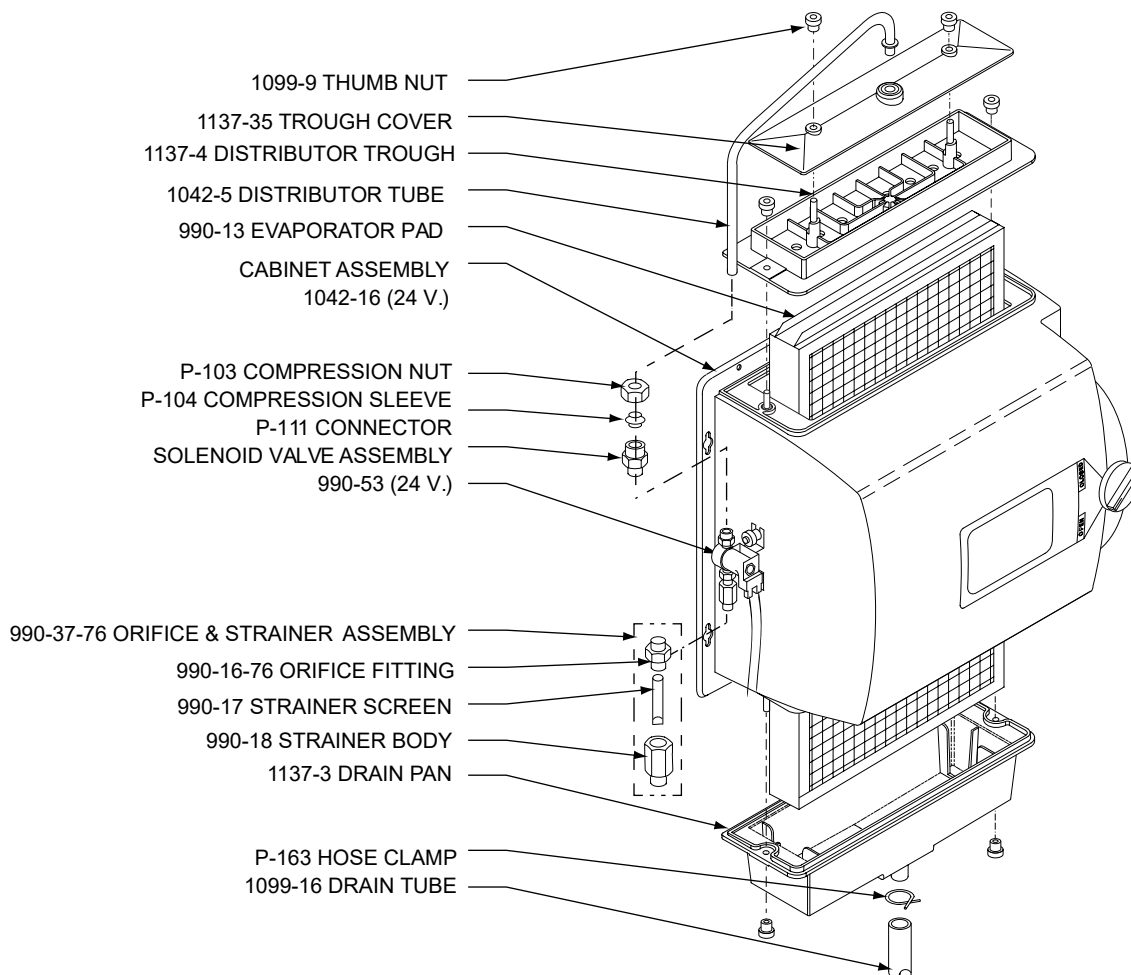
- Water flows through a strainer, is metered through an orifice to provide the proper amount of water, and is supplied to the evaporator pad by the distributor trough. Approximately 200 CFM of air is by-passed from the warm air plenum through the humidifier and returned to the cold air plenum. Moisture is evaporated to the air passing through the evaporator pad.
- Minerals are not blown into the air stream as occurs in atomizing humidifiers; they are left on the evaporator pad where a high percentage is carried off with the waste water.
- When the humidifier is installed and operating, no adjustments are necessary other than setting the control knob on the humidistat to the desired level of humidification. Leave knob on the humidifier in the "OPEN" position.
- To turn the humidifier off, close water supply valve, switch electrical power off and turn humidistat off. If furnace is used for summer cooling or ventilating set air damper to "CLOSED".

At Outside Temperature		Recommended Setting
-20°F	-29°C	15%
-10°F	-23°C	20%
0°F	-18°C	25%
+10°F	-12°C	30%
+20°F	-7°C	35%
+30°F	-1°C	40%

## Maintenance

Your Humidifier is engineered to give helpful and trouble-free humidification. For maximum efficiency the following cleaning procedures should be carried out at the end of each heating season:

1. Turn off water supply and electrical power to humidifier.
2. Remove water distributor tube, distributor trough, evaporator pad and drain pan. The evaporator pad may be removed from either the top or bottom of the humidifier. Clean excessive mineral deposits from the distributor trough, drain pan and humidifier cabinet. A solution of 1/2 vinegar & 1/2 water will help loosen mineral deposits.
3. If the evaporator pad has excessive mineral deposits, replace with a new "990-13" evaporator pad. Install trough and drain pan. Replace the distributor tube to proper position over the distributor trough.
4. In heavy mineral areas or if the solenoid valve fails to function disconnect the 1/4" water supply line from the solenoid valve. Remove the brass strainer body (P.N. 990-18) from the solenoid valve. Carefully pull the strainer screen (P.N. 990-17) from the orifice fitting (P.N. 990-16). Clean the mineral deposits from all parts. If the orifice is clogged, it may be opened by inserting a small needle. Reinsert the filter into the orifice fitting and screw the brass strainer body into the solenoid valve.
5. Reconnect the 1/4" water line to the solenoid valve if necessary. Turn on the water supply and check all points for leakage. The operation of the unit may be checked by starting the furnace. The humidifier operates only when the furnace blower is running or the burner circuit is energized. The humidifier is now ready for operation.
6. During the summer, turn off water supply and electrical power to humidifier. Close air damper.





---

## Trouble Shooting

---

### 1. My humidifier continues to run.

#### Check for the following:

- The valve might be stuck in the "open" position.
- Check for wiring errors.
- Is the unit sized properly for your home? If it is rated for a smaller-sized home than the home in which it is installed, it will work "overtime" to reach the humidification levels desired.
- Check the vapor pad. If it is clogged and needs replacing, the pad may reduce the humidifier efficiency.

### 2. My solenoid valve is making a "chatter" noise.

#### This can be caused by any of the following:

- The power to the valve is less than 18v AC.
- The solenoid is causing a "water hammer condition" thru the water pipes (valve closes quickly and shuts off water flow, which in turn creates pressure behind the valve that has no avenue of relief). You may want to install a water hammering device with your plumbing, or contact your local plumber to determine the best solution.
- The humidistat is located too close to the humidifier or the by-pass pipe. Your humidistat should be a min. of 1.5' away or greater.
- The humidistat could have a buildup of dust, causing a faulty reading.
- The solenoid valve might be dirty. Remove, inspect and clean if necessary.

### 3. The humidifier is not raising the humidity levels in my home.

#### Check for the following:

- Ensure you have changed / replaced your evaporator pad at the proper intervals (once per year) to ensure the greatest production of moisture.
- Connect your humidifier to the hot water line, as this can increase humidity up to 30%. (Be sure to replace plastic tubing with copper for hot water connection.)
- Check the setting of your humidistat to ensure it is set higher than current humidity levels in your home (when in doubt, turn it all the way to the right at maximum production). If you don't know what your current humidity level is, use an instrument called a thermohygrometer to measure both heat and humidity levels in your home.
- Calculate your humidity load (Gallons Per Day - GPD) via our humidity calculator. Check to see that your humidifier model is designed to produce the amount of moisture (GPD) you need.
- Have you recently installed hardwood floors? Have you recently remodeled and added on to your home? These can both increase your home's demand for humidity. Options include connecting your humidifier to the hot water supply (which can increase output by as much as 30%), or installing a new humidifier model that can generate more humidity.

### 4. My humidifier will not turn on.

#### The following might be occurring:

- Check to see your humidifier is plugged in, that the breaker is engaged, and that power to other items from the same source is working.
- Check the on/off switch to be sure it is in the O (Open) position.
- Ensure a fuse has not blown.
- Check that connectors are properly inserted in the terminal block.

---

## FAQ's

---

### 1. Where should the damper position be?

Open (or High) in the winter.  
Closed (or Low) in the summer.

### 2. What range of humidity is ideal?

Research shows that 40-60% relative humidity is ideal. Outside this range, your risk of being adversely affected increases.

### 3. How often should I change my Vapor Pad®?

We recommend replacing your Vapor Pad® at least once per year. Minerals build up on the vapor pad over time, which in turn:

- Reduces the pad's ability to absorb water
- Prevents the warm air from flowing through the pad (Warm air moving through the water-soaked pad causes the water in the pad to evaporate. It is this process that delivers moisture throughout your home via the home's duct system).

### 4. Can't I simply clean my Vapor Pad instead of replacing it?

At the factory we put a coating on the evaporator pad that helps it absorb water and control water flow. This coating is very efficient, however, it is also fragile. The coating is similar in composition to the minerals that accumulate on the pad. If you subject the pad to cleaning, you usually remove much of the coating and the pad becomes ineffective. This reduces the output of the humidifier and increases water consumption.

Instead we recommend the evaporator pad be replaced each year.

### 5. Why would I want to install a humidifier?

**For many reasons:**

1. Since the air in your home is always trying to reach its saturation point, it will absorb water wherever it can; from the bodies of you and your children, your pets, your furniture and even your house plants. As a result your skin, throat and nasal passages dry out, leaving you more susceptible to physical discomfort, colds, flu and even infection.
2. Dry air causes dry, itchy skin.
3. Dry air cracks expensive woodwork, floors, musical instruments, artwork and furnishings.
4. Annoying static electricity (caused by dry air) can damage computers, VCR's and other electronic equipment, requiring expensive repair.
5. Dry air can cause harm to expensive musical instruments like pianos and violins.
6. Dry air causes gaps in window & door frames, letting cold outdoor air in; causing you to turn up the heat and increasing your heating bills! Controlled humidity from the GeneralAire® Elite Steam Humidifier allows you the luxury of dialing the thermostat back & reducing annual heating bills. For example, 68° at 40% relative humidity feels just as warm as 74° at 20% humidity. Setting your thermostat back by as little as three degrees can reduce annual heating bills by as much as 5%.

## Warranty Registration - Keep a Copy For Your Records



### Product Information

Serial Number: \_\_\_\_\_  
 Model: \_\_\_\_\_  
 Installation Date Month: \_\_\_\_\_ Day: \_\_\_\_\_ Year: \_\_\_\_\_

### Owner Information

Name: \_\_\_\_\_  
 Address: \_\_\_\_\_  
 Address 2: \_\_\_\_\_  
 City: \_\_\_\_\_ State: \_\_\_\_\_ Zip Code: \_\_\_\_\_  
 Phone: \_\_\_\_\_  
 Email: \_\_\_\_\_

### Contractor Information

Contractor Name: \_\_\_\_\_  
 Address: \_\_\_\_\_  
 Address 2: \_\_\_\_\_  
 City: \_\_\_\_\_ State: \_\_\_\_\_ Zip Code: \_\_\_\_\_  
 Contractor Phone: \_\_\_\_\_  
 Contractor Email: \_\_\_\_\_

### Register Online

[www.GeneralAire.com / Support](http://www.GeneralAire.com/Support)

### Or Mail

#### USA CUSTOMERS, MAIL TO:

General Filters, Inc  
 Attn: Warranty Dept.  
 43800 Grand River Ave.  
 Novi, MI 48375  
[www.generalfilters.com](http://www.generalfilters.com)

#### CANADIAN CUSTOMERS, MAIL TO:

Canadian General Filters, Ltd.  
 Attn: Warranty Dept.  
 400 Midwest Rd.  
 Toronto, ON M1P3A9 Canada  
[www.cgfproducts.com](http://www.cgfproducts.com)

*Keep a copy for your records!*

## Limited Warranty

### What is Covered

- Ten Years: The 1042LH, if properly registered by the return of the warranty registration card to the manufacturer, is warranted by General Filters, Inc. ("Company") for a period of five (5) years from the date of the original installation, when installed in residential applications only ("Limited Warranty Period").
- This Limited Warranty runs to the original purchaser of the Product(s) who owns, and resides in, the residential property for which it is installed and maintained.
- The Limited Warranty coverage begins upon the date the Product(s) is installed.
- This Limited Warranty is valid only for the original customer purchasing from Company, and is not transferable.

### What is Not Covered

- The following components are not covered by this warranty: Vapor Pads, sleeves or plates, wiring, water strainers or metering orifices.
- This product is designed for residential installation only, therefore, commercial or industrial installations are not covered under this warranty.
- Failure to install the 1042LH in accordance with these instructions, local codes or ordinances voids the warranty.
- Modifications, changes or alterations to equipment.
- Failure to perform regular maintenance as described in this document voids the warranty.
- This Limited Warranty is valid only for the original customer purchasing from Company, and is not transferable.
- Damage caused by misuse, neglect, fire, wind, mold, damage in transit, or other casualty, contact with corrosive materials (chlorine, flourine, salt, urine, fertilizers, recycled waste water, or other damaging substances), damage caused during installation, or any cause beyond General Filters, Inc. control is not covered under this Limited Warranty.
- Labor involved in diagnostic calls or in removing, repairing, servicing or replacing parts is not covered under this Limited Warranty.
- Shipping charges are not covered by this Limited Warranty.
- Agreements made by third parties that are not listed in this Limited Warranty.



## What is Not Covered, Cont.

- Liability for special, incidental, direct, indirect, collateral and consequential damages is excluded. Some states do not allow limitation of incidental damages, so the limitations or exclusions may not apply to you. General Filters, Inc. will not pay electricity or fuel costs, or increases in electricity or fuel costs, for any reason whatsoever, including additional or unusual use of supplemental electric heat. This warranty does not cover lodging expenses or labor charges. General Filters, Inc. shall not be liable for any default or delay in performance under this warranty caused by any contingency beyond its control. This warranty gives you specific legal rights, and you may also have other rights which vary from state to state.

## To Make a Warranty Claim / Obtain Service

- Owner must submit a warranty registration within 30 days after installation of Product(s) (See last page for instructions).
- The Owner must complete our online Return Merchandise Authorization (RMA) Form ([www.generalfilters.com/returns](http://www.generalfilters.com/returns)), to arrange for applicable Limited Warranty service, within the warranty period. Owner must also provide complete model and serial number, proof of required periodic maintenance, installation date and location and an accurate, detailed description of the problem.
- Owner shall be solely responsible for properly packaging the Covered or Extended Coverage Equipment, for all freight charges, and for all risk of loss associated with shipment.
- Owner is responsible for obtaining a licensed contractor to perform any repairs, maintenance or other work on unit.
- If during the Limited or Extended Warranty Period, Covered or Extended Coverage Equipment fails because of a manufacturing defect, Company will provide a free replacement part to the Owner through a licensed service contractor.

## Limitations Of Liability

- General Filters, Inc. makes no express warranties other than the warranty specified above.
- The implied warranties of merchantability and fitness for a particular purpose are limited to the duration listed.
- The manufacturer assumes no liability in connection with the installation or use of the product, except as stated in this Limited Warranty.
- The manufacturer will in no event be liable for incidental or consequential damages.
- This limited warranty gives you specific legal rights, and you may also have other rights which vary from state to state. Some states do not allow either limitations on implied warranties, or exclusions from incidental or consequential damages, so the above exclusion and limitation may not apply to you.

## Questions

- Any questions pertaining to this limited warranty should be addressed to the manufacturer. (U.S.A.: The manufacturer has elected not to make available the informal dispute settlement mechanism which is specified in the Magnuson-Moss Warranty Act.)